

# Portable Micro-Spectrometer



BINS - LED - BINNING

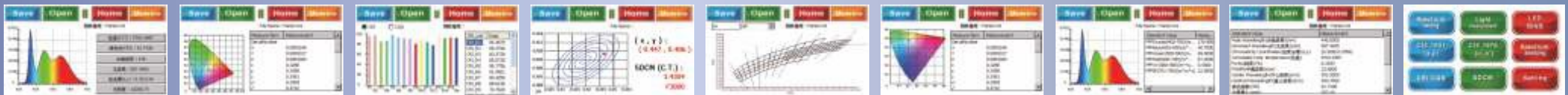
PPF Photosynthetic Photon Flux Density

UNIVERSAL

The essential and universal tool for (almost) all areas and applications:

- lighting-technology
- display-technology
- automotive
- biology
- chemistry
- plant breeding
- and much more

- for
- quick checks
  - research
  - quality-assurance
  - on-site measurements



The first portable CCD-based micro spectrometer with touch-display for measurements in visible light of all light sources. Immediate display of the spectrum and many other light-technical values - and color quality. With rechargeable Li-Ionen battery, USB-connector, Micro-SD-card and Mini-Integrating-Sphere.

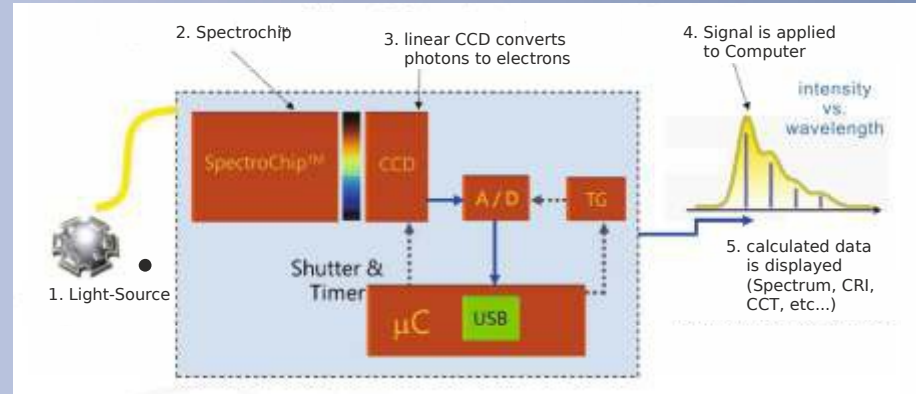
## Specification

	MR-16/MR-16-PPF/MR-16-BINS
Resolution	4,2 - 5 nm FWHM
Spectrum range	380 - 780 nm
SNR	<0,3%
spectral tolerance	0,12%
integration time	1 ms - 24 sec
optical input	Faser SMA905
Memory Cards	Micro-SD (plus internal Memory for about 2000 measurements)
Power (5 VDC)	rechargeable battery
Dimension	14,8cm x 9,6cm x 3,5cm
Weight	550 g

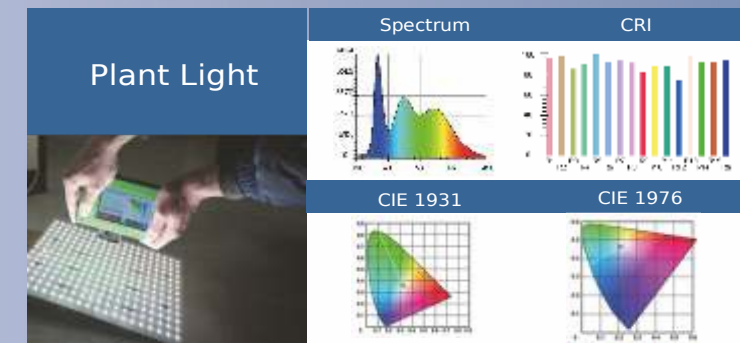
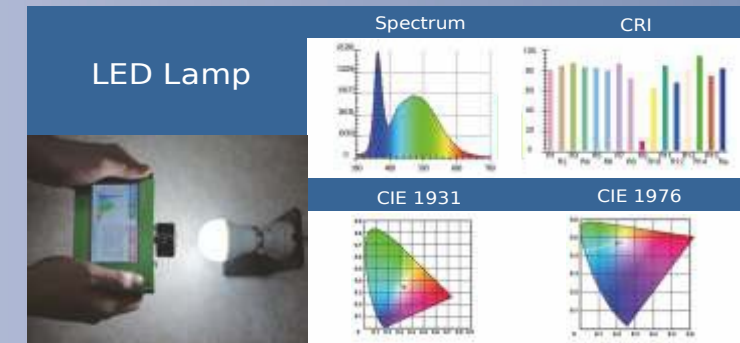
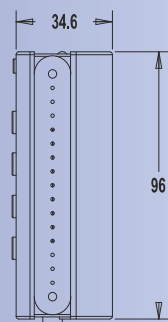
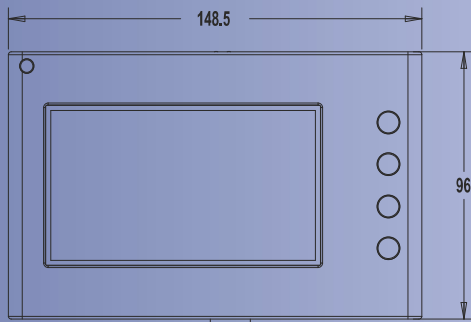
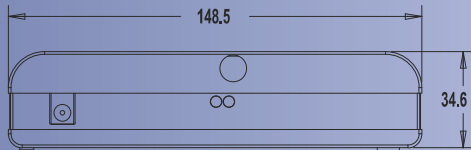
## Model

	MR-16	MR-16-PPF	MR-16-BINS
Spectrum-testing	●	●	●
Light-measurement	●	●	●
LED BINS			●
CIE 1931	●	●	●
CIE1976	●	●	●
Spectrum Analyzing	●	●	●
CRI	●	●	●
CQS	●	●	●
PPF		●	
Distance calibration	●	●	●
Lux calibration	●	●	●
Lumen calibration		●	●
PPF calibration		●	
SDCM (McAdam)	●	●	

## Schematic



## Dimensions



i-sft  
An der Weidenmühle 2  
67598 Gundersheim  
Germany

phone +49 (0) 6244 - 9197 300  
fax +49 (0) 6244 - 9197 333  
info@i-sft.com  
www.i-sft.com